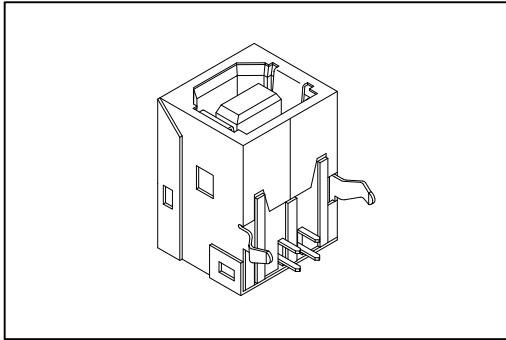


8968-B Series

USB B Type



Material:

Housing: Thermoplastic Polyester Glass Filled UL94V-0.

Contacts: Copper Alloy.

Shell: Copper Alloy.

Electrical Characteristics:

Current Rating: 1 A.

Dielectric Withstanding Voltage: AC 500V.

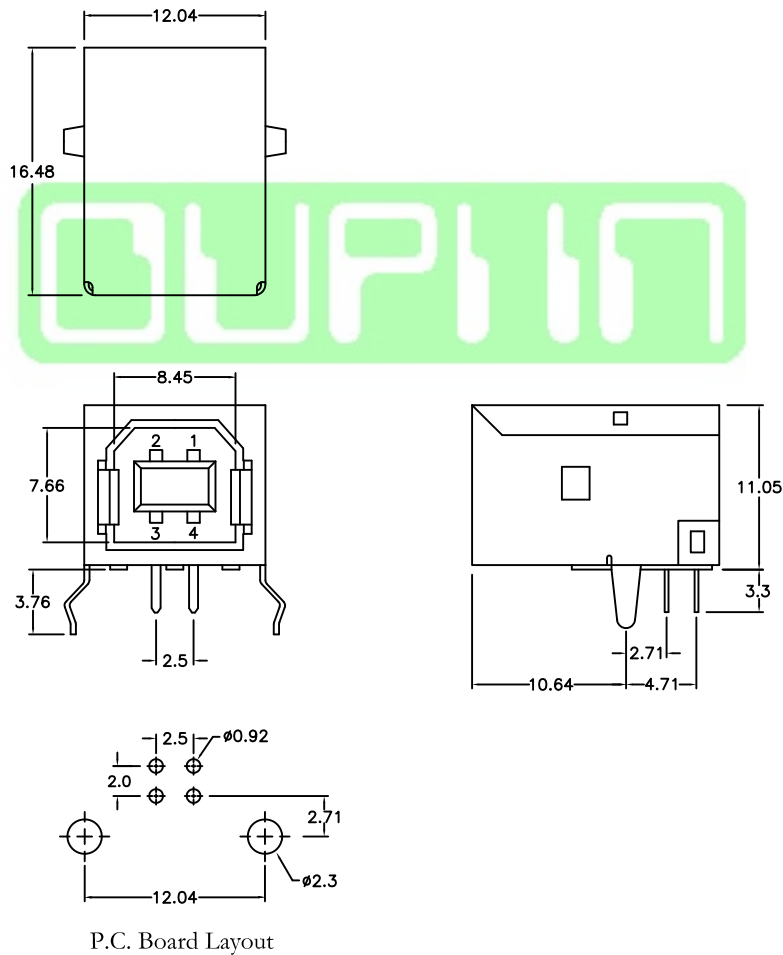
Insulator Resistance: 500MΩ min.

Contact Resistance: 30mΩ max.

Operating Temperature: -40°C~+105°C.

Features:

- * Compact and low profile design for saving space.
- * High reliable contact with low insertion force.
- * Straight and Right Angle Type facilitate engineering design.



Ordering information

8968-B
Series

04
Position

C
C: Selective Gold Plated

00
00: G/F
30: 30 μ"

R
R: Right Angle

W
W: White
B: Black

A
A: Tray Package