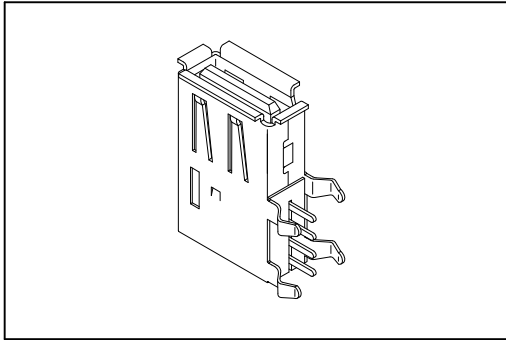


8968-A Series

USB A Type Upright Type



Material:

Housing: Thermoplastic Polyester Glass Filled UL94V-0.

Contacts: Copper Alloy.

Shell: Copper Alloy.

Electrical Characteristics:

Current Rating: 1 A.

Dielectric Withstanding Voltage: AC 500V.

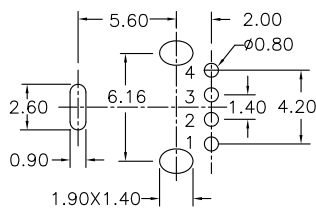
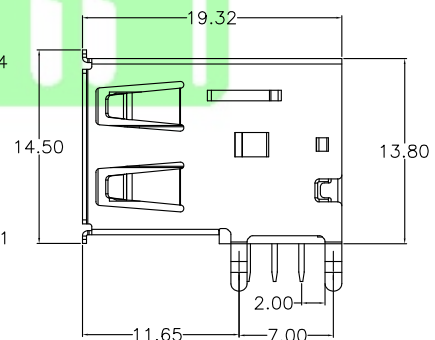
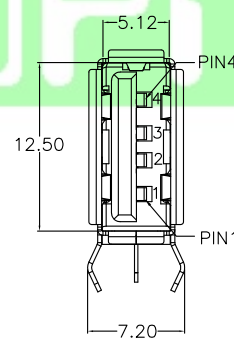
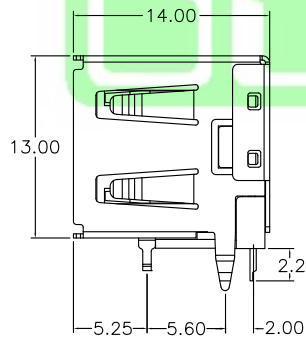
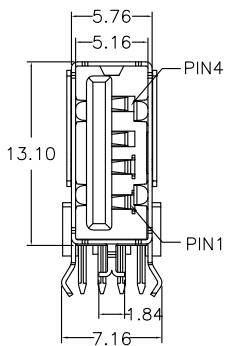
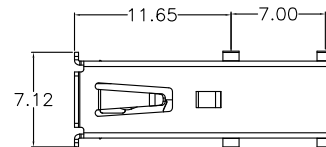
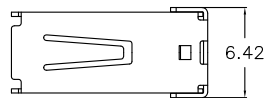
Insulator Resistance: 500M Ω min.

Contact Resistance: 30m Ω max.

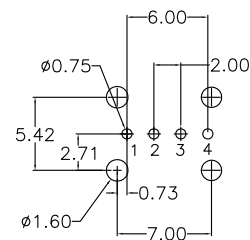
Operating Temperature: -40°C~+105°C.

Features:

- * Compact and low profile design for saving space.
- * High reliable contact with low insertion force.
- * Straight and Right Angle Type facilitate engineering design.



P.C. Board Layout
(Type 2)



P.C. Board Layout
(Type 3)

Ordering information

8968-A	04	C	00	UR	W	2	A
Series	Position	C: Selective Gold Plated	00: G/F 30: 30 μ "	UR: Upright	W: White	2: Type 2 3: Type 3	A: Tray Package