

2.4GHz 8dBi Indoor Desktop Omni-directional Antenna TL-ANT2408C

⦿ Features:

- 8dBi Omni-directional operation boosts your signal to a wider range
- Features 130cm extension cable ensures flexible deployment and better performance
- Very easy to install, no software required
- RP-SMA Female connector, works with device with most indoor wireless AP/Router

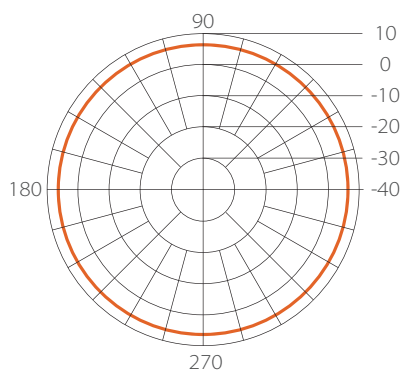
⦿ Description:

Indoor desktop Omni-directional antenna TL-ANT2408C operates in the 2.4-2.5 GHz band and provides 8dBi Omni-directional operation, which largely extends the wireless range and delivers much better wireless performance. The antenna offers the RP-SMA Female connector guaranteeing wider compatibility with most of the wireless equipments.

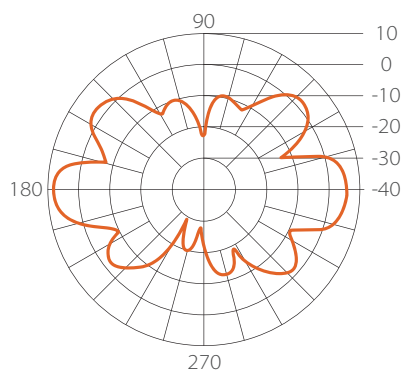


⦿ Radiation Patterns:

H-Plane Co-Polarization Pattern



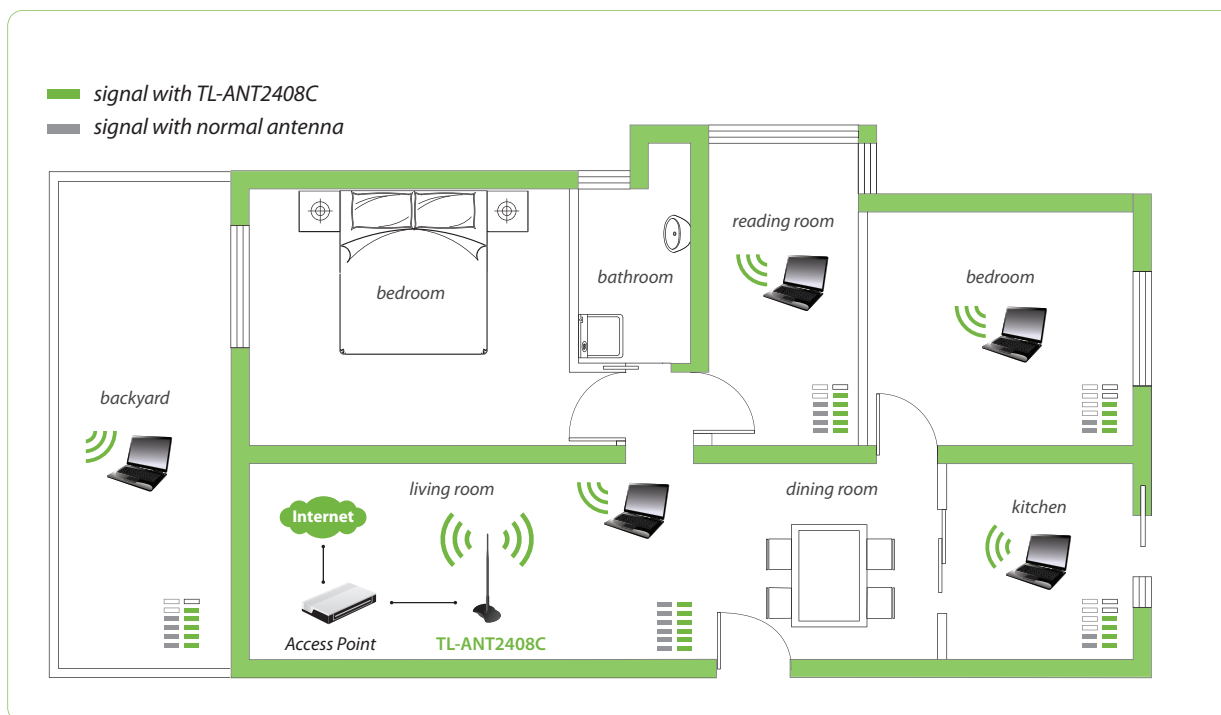
V-Plane Co-Polarization Pattern



◎ Specifications:

Frequency Range	2.4~2.4835GHz
Gain (Exclude Cable Loss)	8dBi
VSWR	1.92:1
HPBW/H(°)	360
HPBW/V(°)	15
Impedance	50 Ohms
Admitted Power	1W
Interfaces	RP-SMA Female
Polarization	Linear, Vertical
Extension Cable	RG174, 130cm
Operating Temperature	-20°C~65°C (-4°F~149°F)
Storage Temperature	-30°C~75°C (-22°F~167°F)
Mounting	Wall Mount / Desktop
Standards	RoHS, WEEE

◎ Diagram:



◎ Related Products:

- Wireless Router (with Detachable Antenna)
- Wireless Access Point (with Detachable Antenna)
- Wireless Adapter (with Detachable Antenna)

◎ Optional Accessories:

- 3 Meters Antenna Extension Cable TL-ANT24EC3S
- 5 Meters Antenna Extension Cable TL-ANT24EC5S